



## COOK & HOLD

# CH15-11P single chamber cook & hold oven

### Key features

- Unit cooks, roasts and holds food at tightly-controlled temperatures
- Dynamic delta t cooking option delivers precise cooking and exceptional yields
- 5" digital touch screen controller with zoomed screen, situated away from steam path
- Simple to use - start cooking with only 3 step operation
- Can be wifi enabled, allowing user to monitor and operate remotely
- Share recipes across estate via usb
- Download HACCP data remotely or via usb
- Store up to 48 recipes and create a favourites list from these for faster access
- 2 probes supplied as standard
- Cooking cycle starts automatically when door is closed after preheat and loading
- Energy monitoring system - records energy usage and can be analysed by day, week and month
- Automatic energy optimisation ensures maximum efficiency during entire cooking process
- Removable drip tray to collect any condensation
- Enhanced door gasket offers optimum performance and ensures energy efficiency
- Heat recovery system ensures minimal heat loss when chamber door is opened
- If chamber door left open for more than 3 minutes oven will alert user via visual and audible alarms
- If there is a power failure, controller will alert user via visual and audible alarms. Oven will resume cooking

automatically if power returns within 20 minutes

- Once program is complete, a new oven timer starts to record the time since program ended
- The oven is designed to deliver gentle and uniform heat across the entire chamber for optimal results
- Elements are easy to replace for simple servicing on site
- Cooking chamber and castors constructed from grade 316 stainless steel for enhanced protection from salt and water damage.
- 15 shelf positions, 3 shelves supplied
- 1/1 GN compatible (on shelves)

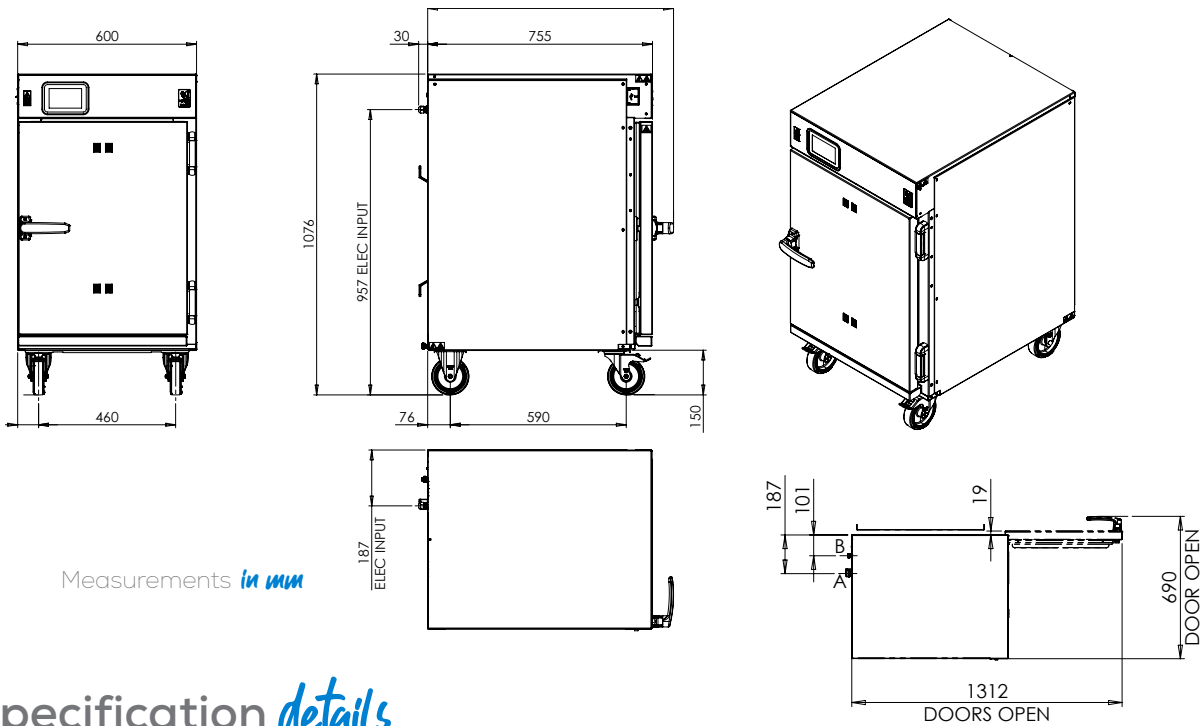
### Accessories

- Additional oven shelf
- Wifi module for connectivity (request at point of order)



# COOK & HOLD

# CH15-11P Cook & Hold Oven



## Specification *details*

Electrical rating (kW)	2.5
Electrical supply voltage	230V N~
Required electrical supply (A)	13A
Electrical current split (A)	11A
Oven rating (kW)	2.5
Oven dimensions (w x d x h - mm)	480 x 670 x 680
Oven shelf (w x d - mm)	435 x 630
GN compatibility	1/1 (on shelf, not directly into oven)
Weight (kg)	139
Packed weight (kg)	150
Packed dimensions (w x d x h - mm)	650 x 850 x 1240

